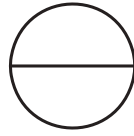




**Tile Tech Inc.**  
Paving America one step at a time!

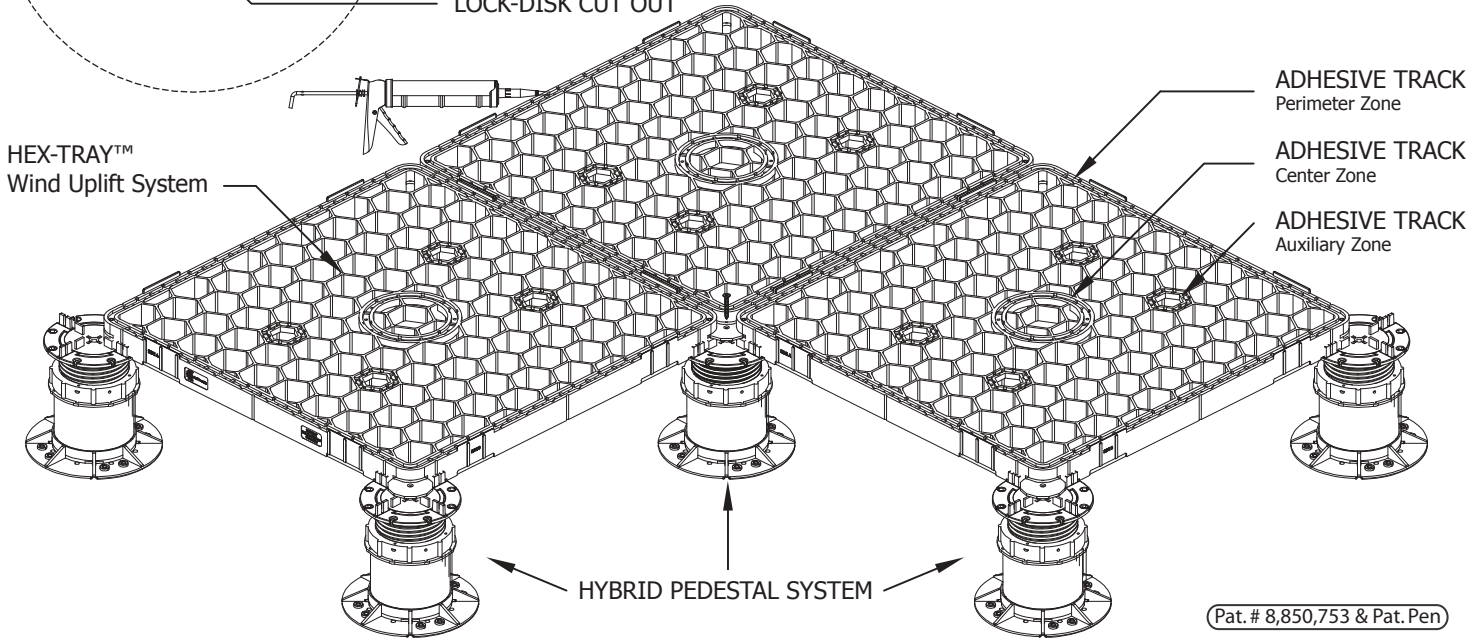
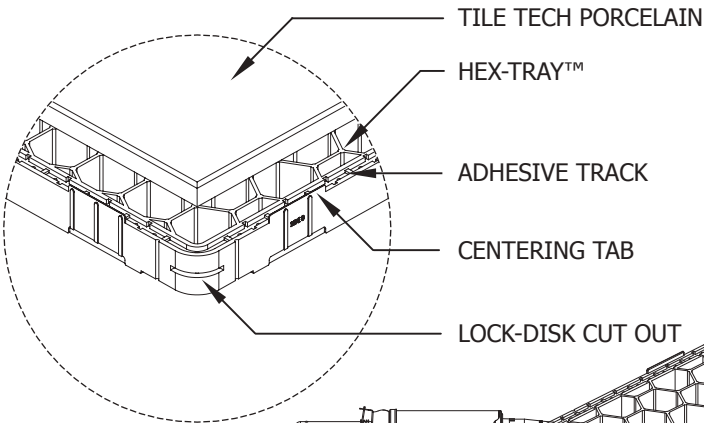


## HEX-TRAY™ WIND UPLIFT SYSTEM

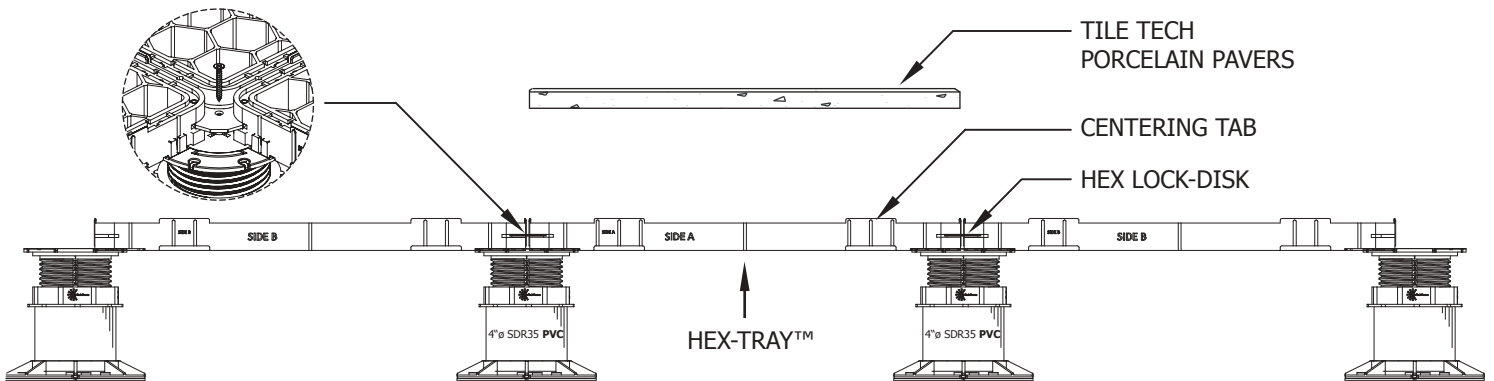
PAVER WIND-UPLIFT SYSTEM DETAILS. PLAN AND PROFILE VIEW

National Distribution Tel: 213-380-5560  
Toll Free: 888-380-5575 Fax: 213-380-5561

HEX-TRAY™ WIND UPLIFT SYSTEM COMPONENTS INCLUDES A HONEYCOMB STRUCTURAL TRAY WITH 3 ADHESIVE TRACK; PERIMETER, CENTER AND AUXILIARY ZONES. A HEX LOCK DISK, HEX 2MM SPACER TABS AND USER SUPPLIED 1-1/2" BLACK RUST PROOF SCREWS IN ADDITION TO CHEM-LINK™ M1 ROOFING ADHESIVE. PRE ASSEMBLE AND ADHERE THE PORCELAIN PAVERS TO THE HEX-TRAY™ USING CHEM-LINK™ M1 APPLIED TO THE ADHESIVE TRACK ON THE HEX-TRAY. THE PERIMETER ZONE IS THE MOST COMMON ADHESIVE TRACK. POSITION AND LEVEL HYBRID PEDESTAL SYSTEM ON TO GRID / CHALK LINES AND PLACE ASSEMBLED HEX-TRAY™ ON TO PEDESTAL SYSTEM. LEVEL & SECURE FOUR ADJACENT CORNERS TO PEDESTAL SYSTEM USING HEX-LOCK DISK AND SECURE WITH DECK SCREW. AT TERMINATION POINTS AND WALLS, THE HEX-TRAY CAN BE CUT TO MATCH THE CUT PORCELAIN PAVERS.



## HEX-TRAY™ WIND UPLIFT - PROFILE VIEW



GENERAL NOTES: APPLY TO ALL OF THE ABOVE PRODUCTS

1. INSTALLATION MUST BE COMPLETED IN ACCORDANCE WITH TILE TECH INC PRODUCT SPECIFICATIONS.
2. DRAWING NOT TO SCALE.
3. USE OF BUFFER PADS IS MANDATORY.
4. CONTRACTOR'S NOTE: FOR PRODUCT AND COMPANY INFORMATION VISIT [www.TILETECHPAVERS.com](http://www.TILETECHPAVERS.com)