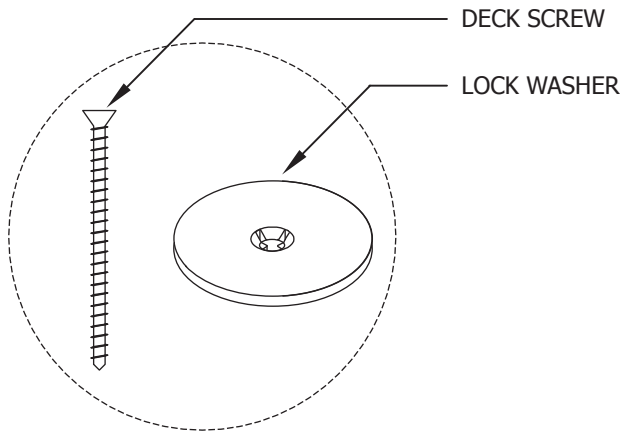


National Distribution

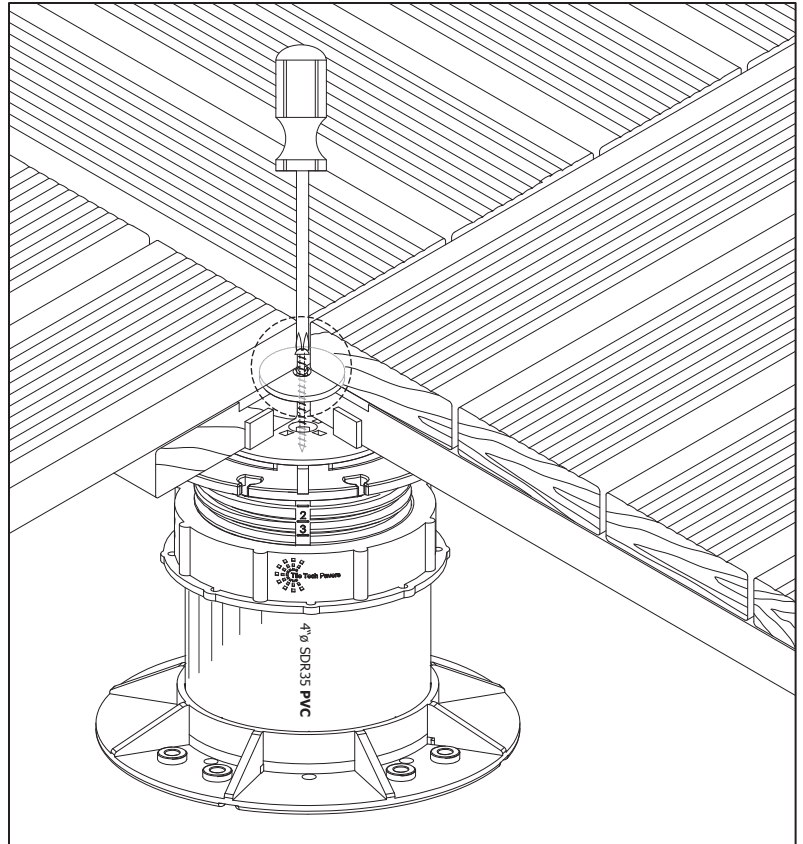
Tel: 213-380-5560

Toll Free: 888-380-5575

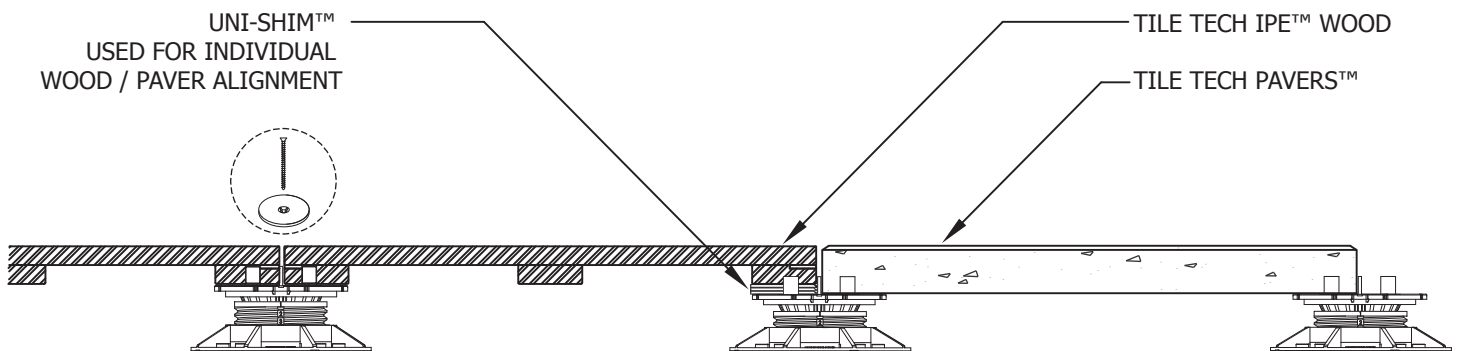
Fax: 213-380-5561



INSERT THE LOCK WASHER IN TO THE KURF CUT BETWEEN THE UPPER SLAT AND BOTTOM RAIL OF 3 WOOD PAVERS. INSERT THE 4th PAVER IN TO THE 4TH CORNER. ONCE ALL 4 PAVERS ARE TIGHTLY IN PLACE INSERT SCREW THROUGH LOCK WASHER AND HAND TIGHTEN IN TO PEDESTAL TOP UNTIL ALL 4 PAVERS ARE SECURELY FASTENED TO THE PEDESTAL. DO NOT OVER TIGHTEN.



IPE WOOD & PAVER TRANSITION AND ALIGNMENT



GENERAL NOTES: APPLY TO ALL OF THE ABOVE PRODUCTS

1. INSTALLATION MUST BE COMPLETED IN ACCORDANCE WITH TILE TECH PAVERS PRODUCT SPECIFICATIONS.
2. DRAWING NOT TO SCALE.
3. USE OF BUFFER PADS IS MANDATORY.
4. CONTRACTOR'S NOTE: FOR PRODUCT AND COMPANY INFORMATION VISIT www.TILETECHPAVERS.com